

Overview

The Global Bleached Hardwood and Softwood Kraft Pulp Cost Benchmarking Data are your most important analysis tools for understanding and assessing your cost competitiveness.

Containing timely and valuable information on manufacturing costs for **143 key mills**, the Global Bleached Hardwood and Softwood Kraft Pulp Cost Benchmarking Data give you the information you need to measure your cost competitiveness in every natural expense category. From categorized cost details for individual dryers/mills to regional summaries of supply costs, find the details you need to make more effective business decisions.

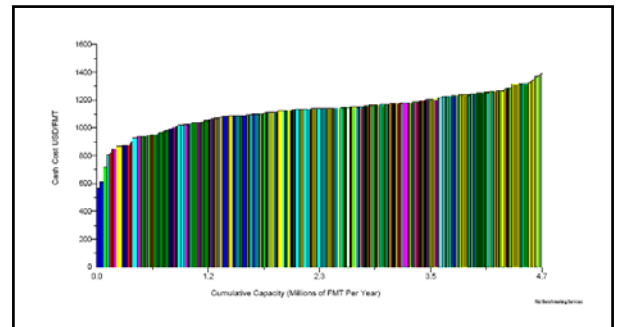
For more information in North America, contact David Rosenberg at 770.373.3028 or drosenberg@risiinfo.com; in Europe, contact Tea Tuuli at +32.2.536.0743 or ttuuli@risiinfo.com; in Latin America, contact Gregory Ardoullie at +55.11.3848.9051 or gardoullie@risiinfo.com; in Asia, contact Levi Li at +86.139.1714.6037 or lili@risiinfo.com; or visit www.risiinfo.com/benchmarking.

Grades Covered:

- Bleached Hardwood Kraft Pulp
- Bleached Softwood Kraft Pulp
- Eucalyptus/Tropical Pulp

Features:

- Detailed cost benchmarking data, including cash costs by product and aggregate cost curves highlighting the different benchmark products by country, producer and configuration.
- Mill-by-Mill listings, detailing the production process and manufacturing costs by natural category (see reverse for more information).
- Efficiency measures (labor and dryer productivity information).
- Dryer Data: Information on showing location, dryer identification, type and model of dryer, startup and rebuild date, capacity, trim and speed.
- Delivered cost to selected destinations.



Sample cost-of-supply curve

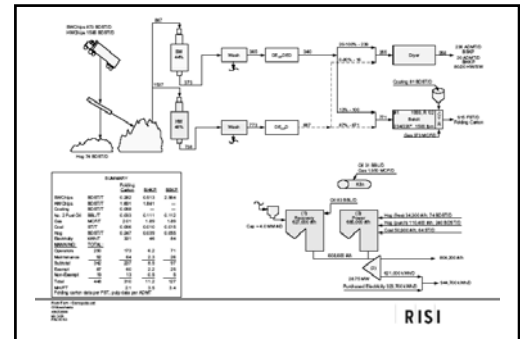
Methodology

Recognized as the preeminent manufacturing cost benchmarking information source for the pulp and paper industry, RISI's benchmarking analyses are produced and maintained by experienced pulp and paper engineers supported by a proven methodology. Cash manufacturing costs for each mill are estimated using a mass and energy balance approach that incorporates data drawn from publicly available sources, and supplemented by surveys and interviews where required. This bottom-up approach results in a high level of transparency that enables customers to compare mills more effectively because they have a clear understanding of the assumptions supporting the results. Data sources include industry publications, capacity reports, directories, site visits, equipment suppliers and engineering studies.

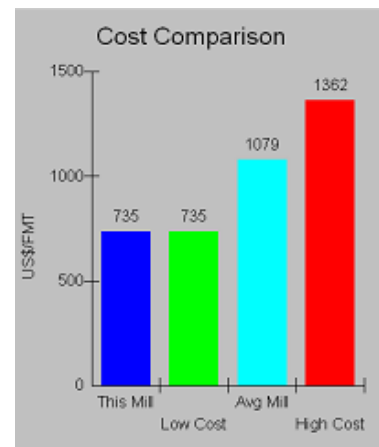
Detailed Mill Listings

Each facility listing includes:

- A simplified process flow sheet diagramming the production process
- A facility description including an assessment of strengths and weaknesses
- A cost benchmark comparing each dryer's/mill's costs to competitors producing the same product
- Manufacturing cost details by natural expense categories for each grade produced:
 - Fiber
 - Chemicals
 - Fuel
 - Electricity
 - Labor (hourly and salaried)
 - Maintenance and materials



Sample process flowsheet



Sample manufacturing cost comparison chart detailing costs by natural expense category.

Available Data

- Global Mechanical Pulp
- Global Bleached Fluff Pulp

Analytical Cornerstone®: Access to the Global Bleached Hardwood and Softwood Kraft Pulp Cost Benchmarking Data is provided through Analytical Cornerstone, our potent software tool that enables you to use cost benchmarking analyses to understand and model production costs. If you need to analyze multiple grades and/or want your data updated continuously, ask us about a subscription to Analytical Cornerstone – and choose our optional **Scenario Manager®** add-on to perform “what-if” scenarios and sensitivity analysis.

Custom Data: RISI can provide customized cost curves and mill analyses to meet your information and budget needs.

For more information, contact us (see last page) or visit www.risiinfo.com/benchmarking

Mill List – Global Bleached Hardwood Kraft Pulp Cost Benchmarking Data

- AbitibiBowater – Calhoun, TN
- AbitibiBowater – Thunder Bay, ON
- Advance Agro Public Co. – Prachinburi, Thailand
- Alberta Pacific – Boyle, AB
- Altri – Figueira da Foz, Portugal
- Aracruz Celulose SA – Aracruz, Brazil
- Aracruz Celulose SA – Guaiba, Brazil
- Arkhangelsk Pulp & Paper – Novodvinsk, Russia
- AV Cell – Nackawic, NB
- Billerud – Skärblacka, Sweden
- Burgo Group – Virton, Belgium
- Carter Holt Harvey – Tasman, New Zealand
- Cascade Pacific Pulp – Halsey, OR
- Celulosa Arauco y Constitucion – Arauco, Chile
- Celulosa Arauco y Constitucion – Licanten, Chile
- Celulosa Arauco y Constitucion – Nueva Aldea, Chile
- Celulosa Arauco y Constitucion – Valdivia, Chile
- Cenibra-Celulose Nipo-Brasileira SA – Belo Oriente, MG, Brazil
- Chung Hwa Pulp Corporation – Hualien, Taiwan
- CMPC – Nacimiento, Chile
- Daishowa-Marubeni – Peace River, AB
- Domtar – Ashdown, AR
- Domtar – Bennettsville, SC
- Domtar – Espanola, ON
- Domtar – Hawesville, KY
- Domtar – Kamloops, BC
- Domtar – Woodland, ME
- Donghae Pulp Co. Ltd. – Ulsan-Gun, Korea
- ENCE – Huelva, Spain
- ENCE – Navia, Spain
- ENCE – Ponte Vedra, Spain
- Fraser Papers – Thurso, QC
- Hainan Gold Hai Pulp & Paper – Hainan, China
- Iggesund Paperboard – Iggesund, Sweden
- Ilim Group – Bratsk, Russia
- Ilim Group – Koryazhma, Russia
- International Paper – Eastover, SC
- International Paper – Kwidzyn, Poland
- International Paper – Luiz Antonio, Brazil
- International Paper – Riegelwood, NC
- International Paper – Saillat-sur-Vienne, France
- International Paper – Svetogorsk, Russia
- Irving Pulp & Paper – Saint John, NB
- Jari Celulose SA – Para, Brazil
- Lwarcel Celulose – Lencois Paulista, Brazil
- Metsä-Botnia – Äänekoski, Finland
- Metsä-Botnia – Fray Bentos, Uruguay
- Metsä-Botnia – Kaskinen, Finland
- Metsä-Botnia – Kemi, Finland
- Mitsubishi Paper Mills – Kitakami, Iwate, Japan
- Mondi – Richards Bay, South Africa
- M-real – Alizay, France
- M-real – Husum, Sweden
- NewPage – Rumford, ME
- NewPage – Wickliffe, KY
- NewPage – Wisconsin Rapids, WI
- Northern Pulp – Abercrombie Point, NS
- Parsons & Whittemore, Inc. – Claiborne (Alabama River Pulp), AL
- Phoenix Pulp & Paper – Khon Kaen, Thailand
- Portucel – Aveiro, Portugal
- Portucel – Setubal, Portugal
- PT Indah Kiat – Perawang, Indonesia
- PT Lontar Papyrus Pulp & Paper – Jambi, Indonesia
- PT Riau Andalan Pulp and Paper – Kerinci, Indonesia
- PT Tanjung Enim Lestari – Sumatra, Indonesia
- Red Shield Environmental – Old Town, ME
- Ripasa SA, Celulose e Papel – Americana, Brazil
- Rock-Tenn – Demopolis, AL
- Rottneros – Burgos, Spain
- SAPPi – Cloquet, MN
- SAPPi – Ngodwana, South Africa
- SAPPi – Skowhegan, ME
- Shandong Asia Pacific SSYMB – Rizhao, China
- Smurfit-Stone – Panama City, FL
- Smurfit-Stone – Portage-Du-Fort, QC
- Södra Cell – Mönsterås, Sweden
- Södra Cell – Mörrum, Sweden
- Södra Cell – Tofte, Norway
- Stora Enso – Imatra, Finland
- Stora Enso – Skutskär, Sweden
- Stora Enso – Uimaharju, Finland
- Suzano – Mucuri, Brazil
- Suzano – Suzano, Brazil
- Taiwan Pulp & Paper – Hsinying, Taiwan
- Tembec – St. Gaudens, France
- UPM – Lappeenranta, Finland
- UPM – Pietarsaari, Finland
- Veracel Cellulose – Eunapolis, Brazil
- Verso Paper – Quinnesec, MI
- Votorantim Celulose e Papel SA – Jacarei, Brazil
- Weyerhaeuser – Longview, WA
- Yunnan Yunjing Forestry & Paper – Jinggu, China

Mill List – Global Bleached Softwood Kraft Pulp Cost Benchmarking Data

- AbitibiBowater – Catawba, SC
- AbitibiBowater–Fort Frances, ON
- AbitibiBowater– Thunder Bay, ON
- Alberta Pacific – Boyle, AB
- Alto Parana – Puerto Esperanza, Argentina
- Arkhangelsk Pulp & Paper – Novodvinsk, Russia
- Billerud – Grums, Sweden
- Billerud – Karlsborg, Sweden
- Billerud – Skärblacka, Sweden
- Boise – St. Helens, OR
- Boise – Wallula, WA
- Canfor – Prince George (Intercontinental), BC
- Canfor – Prince George (Northwood), BC
- Canfor – Prince George, BC
- Cariboo Pulp & Paper – Quesnel, BC
- Carter Holt Harvey – Tasman, New Zealand
- Carter Holt Harvey – Tokoroa, New Zealand
- Cascade Pacific Pulp – Halsey, OR
- Catalyst Paper – Crofton, BC
- Catalyst Paper – Elk Falls, BC
- Celgar Pulp – Castlegar, BC
- Celulosa Arauco y Constitucion – Arauco, Chile
- Celulosa Arauco y Constitucion – Licanten, Chile
- Celulosa Arauco y Constitucion – Nueva Aldea, Chile
- Celulosa Arauco y Constitucion – Valdivia, Chile
- CMPC – Angol, Chile
- CMPC – Laja, Chile
- Daishowa-Marubeni – Peace River, AB
- Domtar – Ashdown, AR
- Domtar – Bennettsville, SC
- Domtar – Dryden, ON
- Domtar – Espanola, ON
- Domtar – Kamloops, BC
- Georgia-Pacific – Naheola, AL
- GP Cellulose – New Augusta, MS
- Guangxi Nanning Phoenix Pulp – Nanning, China
- Heinzl Group – Pols, Austria
- Howe Sound – Port Mellon, BC
- Iggesund Paperboard – Iggesund, Sweden
- Ilim Group – Bratsk, Russia
- Ilim Group – Ust-Ilimsky, Russia
- International Paper – Bastrop, LA
- International Paper – Eastover, SC
- International Paper – Georgetown, SC
- International Paper – Kwidzyn, Poland
- International Paper – Riegelwood, NC
- International Paper – Saillat-sur-Vienne, France
- Irving Pulp & Paper – Saint John, NB
- Marathon Pulp – Marathon, ON
- Mercer International – Arneburg, Germany
- Mercer International – Blankenstein, Germany
- Metsä-Botnia – Äänekoski, Finland
- Metsä-Botnia – Joutseno, Finland
- Metsä-Botnia – Kaskinen, Finland
- Metsä-Botnia – Kemi, Finland
- Metsä-Botnia – Rauma, Finland
- Mondi – Steti, Czech Republic.
- M-real– Husum, Sweden
- Munksjö – Aspabruk, Sweden
- NewPage – Wisconsin Rapids, WI
- Northern Pulp – Abercrombie Point, NS
- Parsons & Whittemore, Inc. – Claiborne (Alabama Pine Pulp), AL
- Parsons & Whittemore, Inc.– Clairborne (Alabama River Pulp), AL
- Potlatch – Lewiston, ID
- Rock-Tenn – Demopolis, AL
- Rottneros – Vallvik, Sweden
- SAPPI – Ngodwana, South Africa
- SCA Graphic Sundsvall – Östrand, Sweden
- SFK Pulp Fund – St. Felicien, QC
- Smurfit-Stone – Panama City, FL
- Södra Cell – Mönsterås, Sweden
- Södra Cell – Mörrum, Sweden
- Södra Cell – Tofte, Norway
- Södra Cell – Värö, Sweden
- Stora Enso – Kemijärvi, Finland
- Stora Enso – Norrsundet, Sweden
- Stora Enso – Oulu, Finland
- Stora Enso – Skutskär, Sweden
- Stora Enso – Uimaharju, Finland
- Sunila – Kotka, Finland
- Tembec – Skookumchuck, BC
- Tembec – St. Gaudens, France
- Tembec – Tarascon, France
- Terrace Bay Pulp – Terrace Bay, ON
- UPM – Lappeenranta, Finland
- UPM – Pietarsaari, Finland
- West Fraser – Hinton, AB
- Weyerhaeuser – Columbus, MS
- Weyerhaeuser – Grande Prairie, AB
- Weyerhaeuser – Longview, WA
- Weyerhaeuser – Port Wentworth, GA
- Yunnan Yunjing Forestry & Paper – Jinggu, China

Order Form — Global Bleached Hardwood & Softwood Kraft Pulp Cost Benchmarking Data

Four easy ways to order:

Fax

770.373.3005

Mail

RISI
900 Circle 75 Parkway
Suite 1150
Atlanta, GA 30339 USA

Web

www.risiinfo.com/
benchmarking

Call

In North America

David Rosenberg
770.373.3028
drosenberg@risiinfo.com

In Europe

Tea Tuuli
+32.2.536.0743
ttuuli@risiinfo.com

In Latin America

Gregory Ardoullie
+55.11.3848.9051
gardoullie@risiinfo.com

In Asia

Levi Li
+86.139.1714.6037
lli@risiinfo.com

To order please call, email us, or complete and return this form.

Please check the benchmarking data you would like to purchase:

___ Global Bleached Hardwood Kraft Pulp US\$16,500
___ Global Bleached Softwood Kraft Pulp US\$18,500
___ Global Bleached Fluff Pulp US\$10,000
___ Global Mechanical Pulp US\$11,500
Less multiple grade discount if applicable (see below) - _____
TOTAL \$ _____

Multiple grade purchase discounts available:

Purchase two grades and receive 12% discount off list price.

Purchase three or more grades and receive 15% discount off list price.

Please complete the information below:

Signature: _____

First Name: _____

Last Name: _____

Title: _____

Company: _____

Address: _____

City: _____ State/Province: _____

Postal Code: _____ Country: _____

Phone: _____

Fax: _____

E-mail: _____

Check here if you do not wish to receive communication about other select offers from RISI via email.