

## Overview

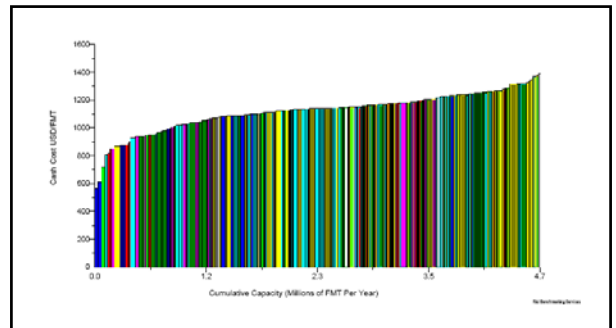
The Global Mechanical Pulp Cost Benchmarking Data are your most important analysis tools for understanding and assessing your cost competitiveness.

Containing timely and valuable information on manufacturing costs for **26 key mills**, the Global Mechanical Pulp Cost Benchmarking Data give you the information you need to measure your cost competitiveness in every natural expense category. From categorized cost details for individual dryers/mills to regional summaries of supply costs, find the details you need to make more effective business decisions.

For more information in North America, contact David Rosenberg at 770.373.3028 or [drosenberg@risiinfo.com](mailto:drosenberg@risiinfo.com); in Europe, contact Tea Tuuli at +32.2.536.0743 or [ttuuli@risiinfo.com](mailto:ttuuli@risiinfo.com); in Latin America, contact Gregory Ardoullie at +55.11.3848.9051 or [gardoullie@risiinfo.com](mailto:gardoullie@risiinfo.com); in Asia, contact Levi Li at +86.139.1714.6037 or [lili@risiinfo.com](mailto:lili@risiinfo.com); or visit [www.risiinfo.com/benchmarking](http://www.risiinfo.com/benchmarking).

## Grades Covered:

- Bleached Mechanical Pulp
  - BCTMP – HW
  - BCTMP – SW
  - CTMP
  - RMP
  - Groundwood



*Sample cost-of-supply curve*

## Features:

- Detailed cost benchmarking data, including cash costs by product and aggregate cost curves highlighting the different benchmark products by country, producer and configuration.
- Mill-by-Mill listings, detailing the production process and manufacturing costs by natural category (see reverse for more information).
- Efficiency measures (labor and dryer productivity information).
- Dryer Data: Information on showing location, dryer identification, type and model of dryer, startup and rebuild date, capacity, trim and speed.
- Delivered cost to selected destinations.

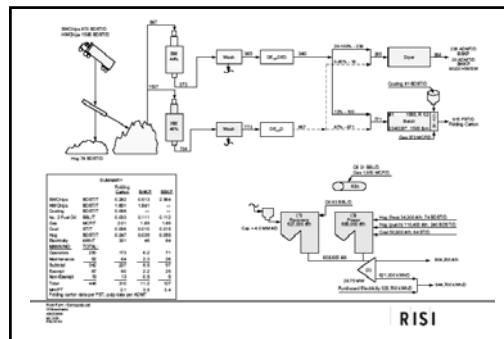
## Methodology

Recognized as the preeminent manufacturing cost benchmarking information source for the pulp and paper industry, RISI's benchmarking analyses are produced and maintained by experienced pulp and paper engineers supported by a proven methodology. Cash manufacturing costs for each mill are estimated using a mass and energy balance approach that incorporates data drawn from publicly available sources, and supplemented by surveys and interviews where required. This bottom-up approach results in a high level of transparency that enables customers to compare mills more effectively because they have a clear understanding of the assumptions supporting the results. Data sources include industry publications, capacity reports, directories, site visits, equipment suppliers and engineering studies.

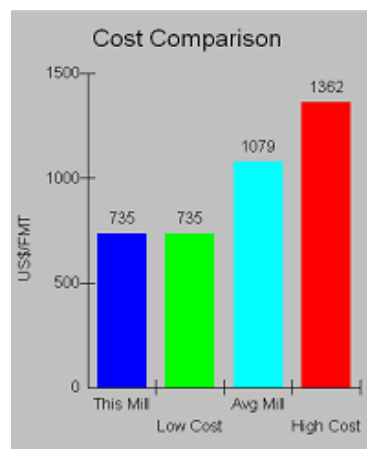
## Detailed Mill Listings

Each facility listing includes:

- A simplified process flow sheet diagramming the production process
- A facility description including an assessment of strengths and weaknesses
- A cost benchmark comparing each dryer's/mill's costs to competitors producing the same product
- Manufacturing cost details by natural expense categories for each grade produced:
  - Fiber
  - Chemicals
  - Fuel
  - Electricity
  - Labor (hourly and salaried)
  - Maintenance and materials



Sample process flowsheet



Sample manufacturing cost comparison chart detailing costs by natural expense category.

---

## Available Data

- Global Bleached Hardwood Kraft Pulp
- Global Bleached Softwood Kraft Pulp
- Global Bleached Fluff Pulp

**Analytical Cornerstone®:** Access to the Global Bleached Hardwood and Softwood Kraft Pulp Cost Benchmarking Data is provided through Analytical Cornerstone, our potent software tool that enables you to use cost benchmarking analyses to understand and model production costs. If you need to analyze multiple grades and/or want your data updated continuously, ask us about a subscription to Analytical Cornerstone – and choose our optional **Scenario Manager®** add-on to perform “what-if” scenarios and sensitivity analysis.

**Custom Data:** RISI can provide customized cost curves and mill analyses to meet your information and budget needs.

**For more information, contact us (see last page) or visit [www.risiinfo.com/benchmarking](http://www.risiinfo.com/benchmarking)**

## Mill List – Global Mechanical Pulp Cost Benchmarking Data

- Canfor – Taylor, BC
- Drvenjaca – Fuzine, Croatia
- Heinzl Group – Kunda, Estonia
- Millar Western – Whitecourt, AB
- M-real – Joutseno, Finland
- M-real – Kaskinen, Finland
- Pan Pac – Whirinaki, New Zealand
- Rottneros – Rockhammar, Sweden
- Rottneros – Rottneros, Sweden
- Rottneros – Utansjö, Sweden
- Rygene-Smith & Thommesen – Rykene, Norway
- SCA Graphic Sundsvall – Östrand, Sweden
- Shandong Huatai – Dongying, China
- Sicem-Saga – Ciano di Canossa, Italy
- Sinar Mas Group – Meadow Lake, SK
- Södra Cell – Follafoss, Norway
- Stora Enso – Imatra, Finland
- Tembec – Chetwynd, BC
- Tembec – Matane, QC
- Tembec – Temiscaming, QC
- Vafos – Kragero, Norway
- Waggeryd Cell – Vaggeryd, Sweden
- West Fraser – Quesnel, BC
- West Fraser – Slave Lake, AB
- Winstone Pulp – Karioi, New Zealand
- Zubialde – Aizarnazabal, Spain

# Order Form – Global Mechanical Pulp Cost Benchmarking Data

## Four easy ways to order:

### Fax

770.373.3005

### Mail

RISI  
900 Circle 75 Parkway  
Suite 1150  
Atlanta, GA 30339 USA

### Web

www.risiinfo.com/  
benchmarking

### Call

#### In North America

David Rosenberg  
770.373.3028  
drosenberg@risiinfo.com

#### In Europe

Tea Tuuli  
+32.2.536.0743  
ttuuli@risiinfo.com

#### In Latin America

Gregory Ardoullie  
+55.11.3848.9051  
gardoullie@risiinfo.com

#### In Asia

Levi Li  
+86.139.1714.6037  
lli@risiinfo.com

To order please call, email us, or complete and return this form.

Please check the benchmarking data you would like to purchase:

\_\_\_ Global Mechanical Pulp ..... US\$11,500  
\_\_\_ Global Bleached Hardwood Kraft Pulp ..... US\$16,500  
\_\_\_ Global Bleached Softwood Kraft Pulp ..... US\$18,500  
\_\_\_ Global Bleached Fluff Pulp ..... US\$10,000  
Less multiple grade discount if applicable (see below) ..... - \_\_\_\_\_  
TOTAL ..... \$ \_\_\_\_\_

### Multiple grade purchase discounts available:

Purchase two grades and receive 12% discount off list price.

Purchase three or more grades and receive 15% discount off list price.

### Please complete the information below:

Signature: \_\_\_\_\_

First Name: \_\_\_\_\_

Last Name: \_\_\_\_\_

Title: \_\_\_\_\_

Company: \_\_\_\_\_

Address: \_\_\_\_\_

City: \_\_\_\_\_ State/Province: \_\_\_\_\_

Postal Code: \_\_\_\_\_ Country: \_\_\_\_\_

Phone: \_\_\_\_\_

Fax: \_\_\_\_\_

E-mail: \_\_\_\_\_

Check here if you do not wish to receive communication about other select offers from RISI via email.